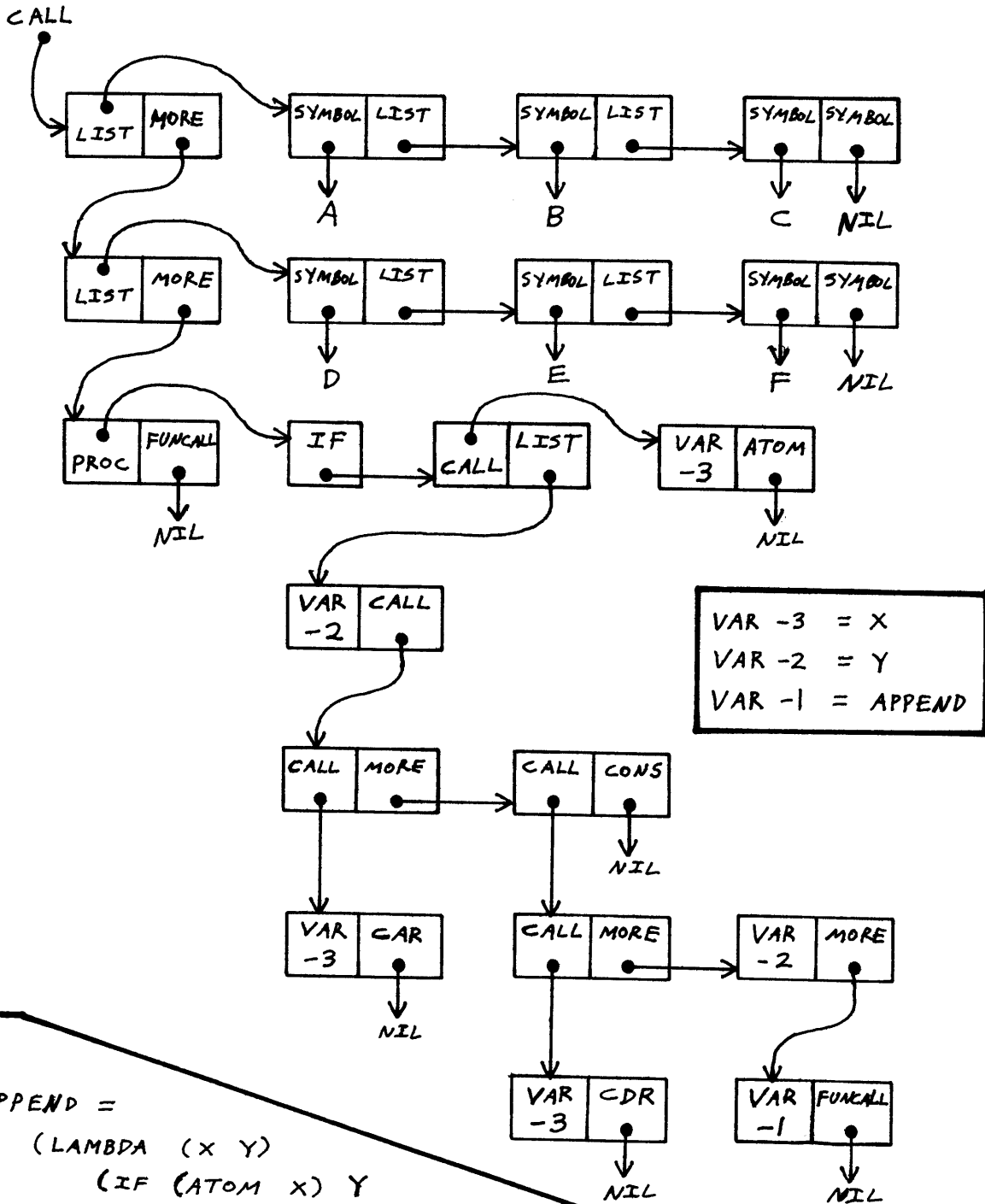


SIMPLE EXPRESSION FOR (APPEND '(A B C) '(D E F))



```

APPEND =
  (LAMBDA (X Y)
    (IF (ATOM X) Y
        (CONS (CAR X)
              (APPEND (CDR X) Y))))
  
```